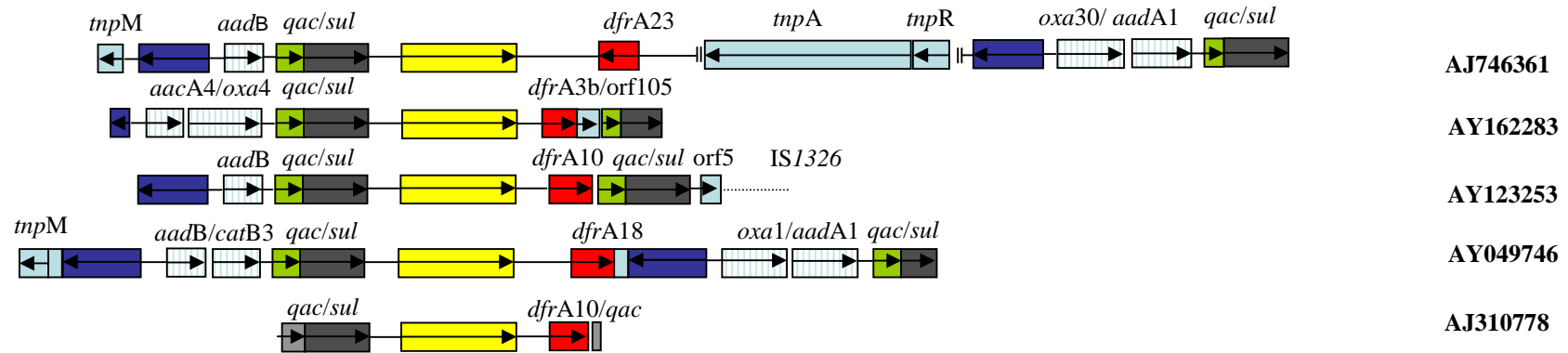
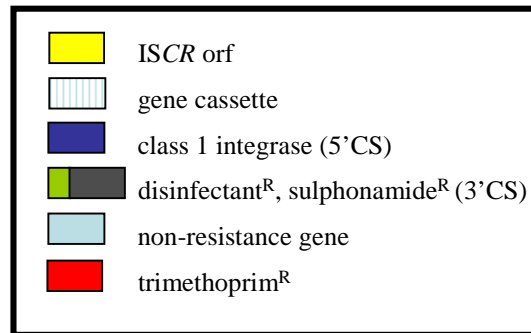


ISCR1 elements associated with trimethoprim resistance genes

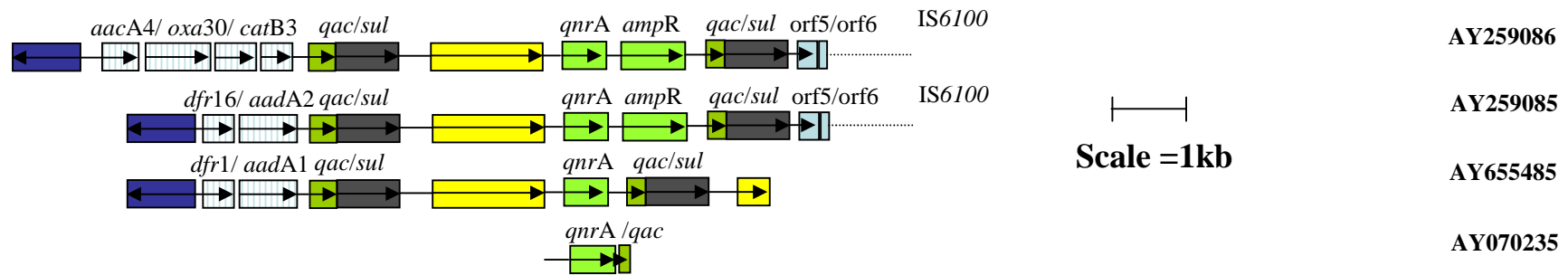


KEY

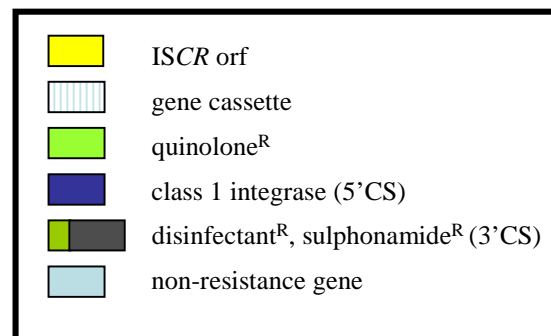


Scale =1kb

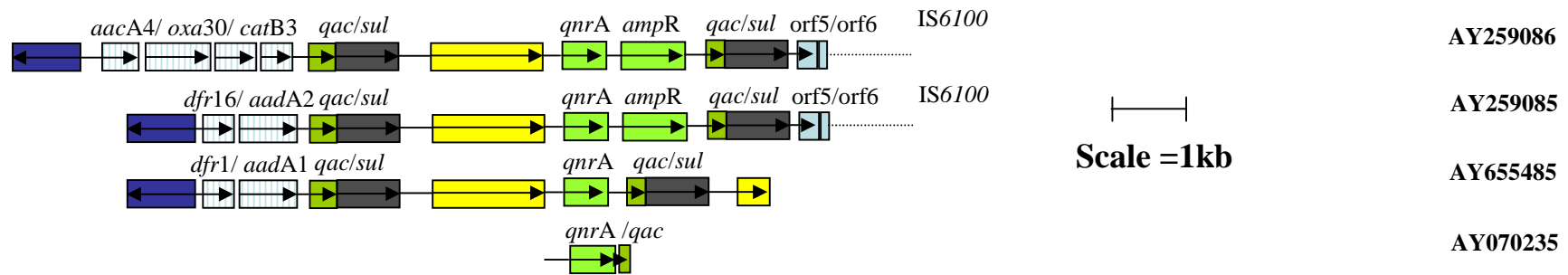
ISCR1 elements associated with quinolone resistance genes



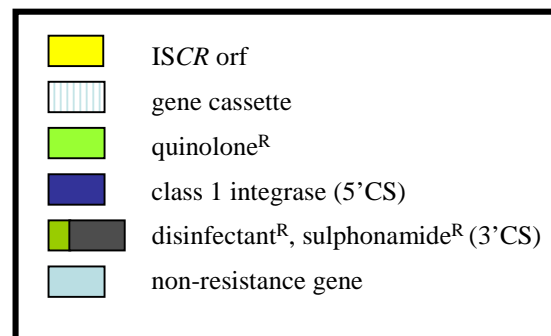
KEY



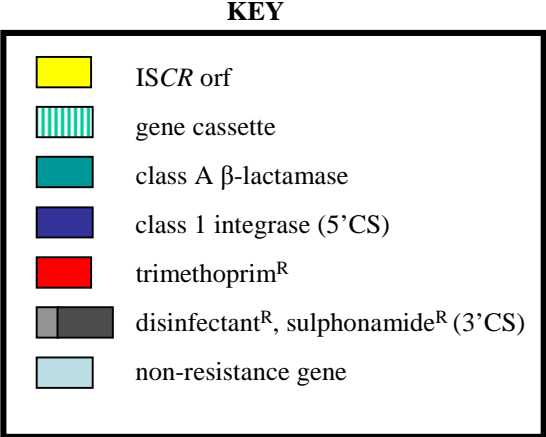
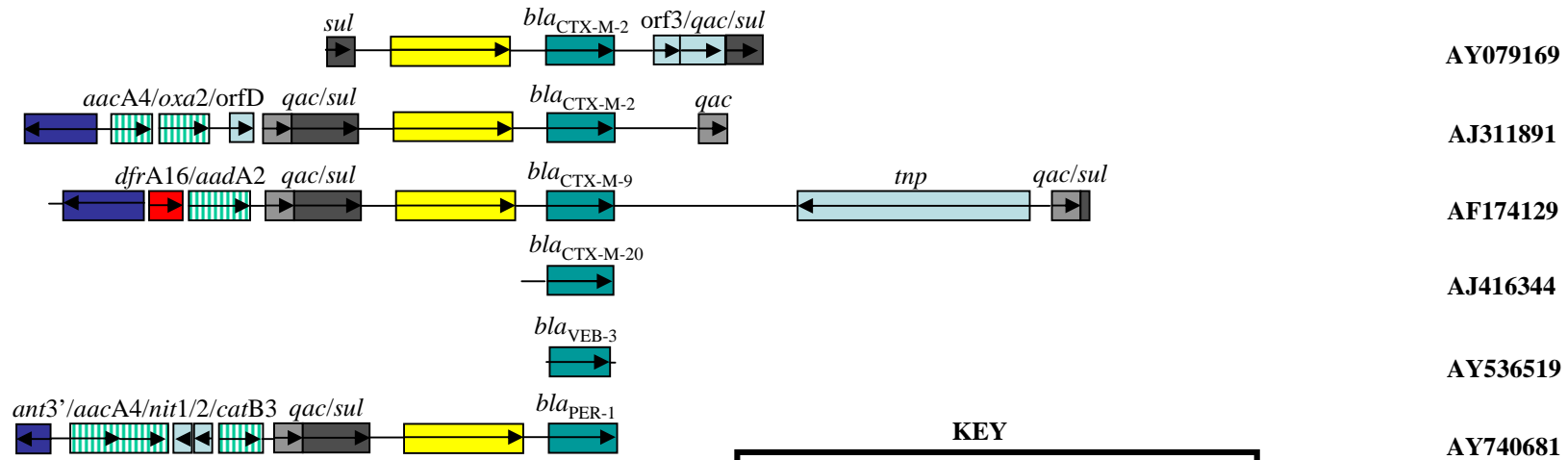
ISCR1 elements associated with quinolone resistance genes



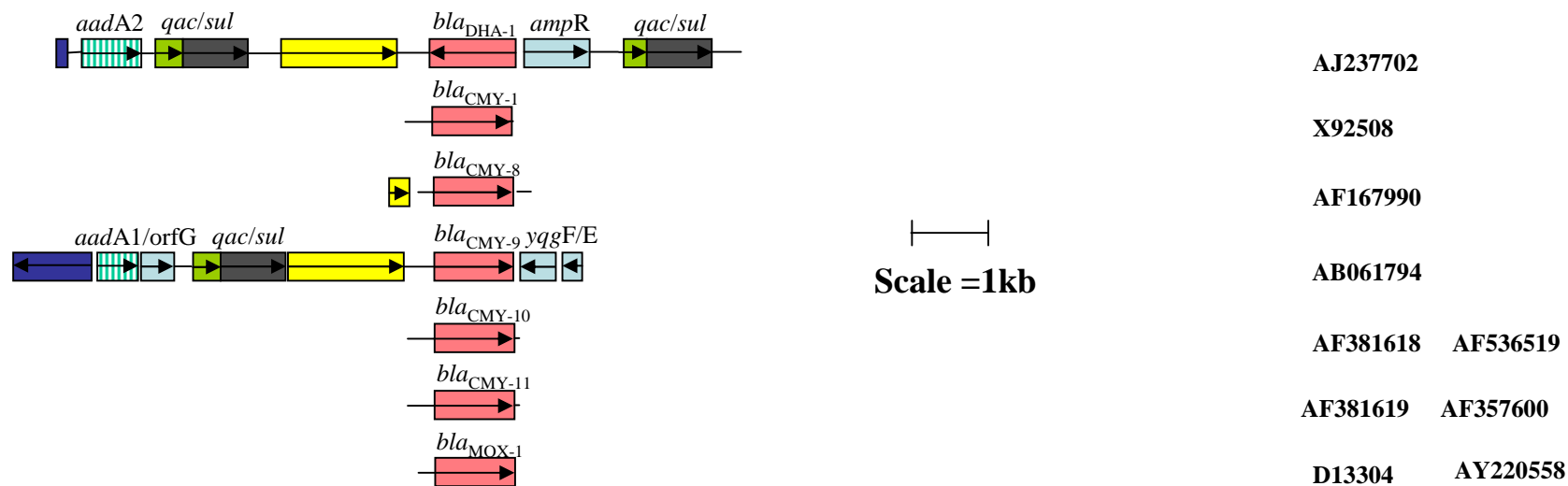
KEY



ISCR1 elements associated with Class A β -lactamase genes



ISCR1 elements associated with class C β -lactamase genes



AJ237702

X92508

AF167990

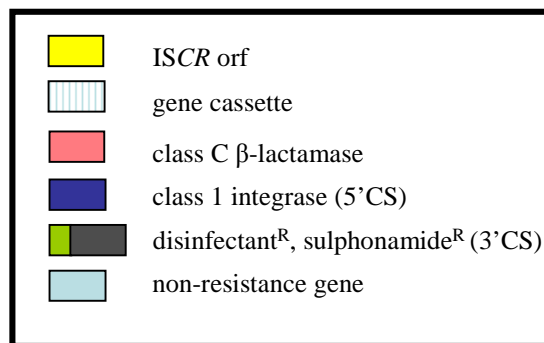
AB061794

AF381618 AF536519

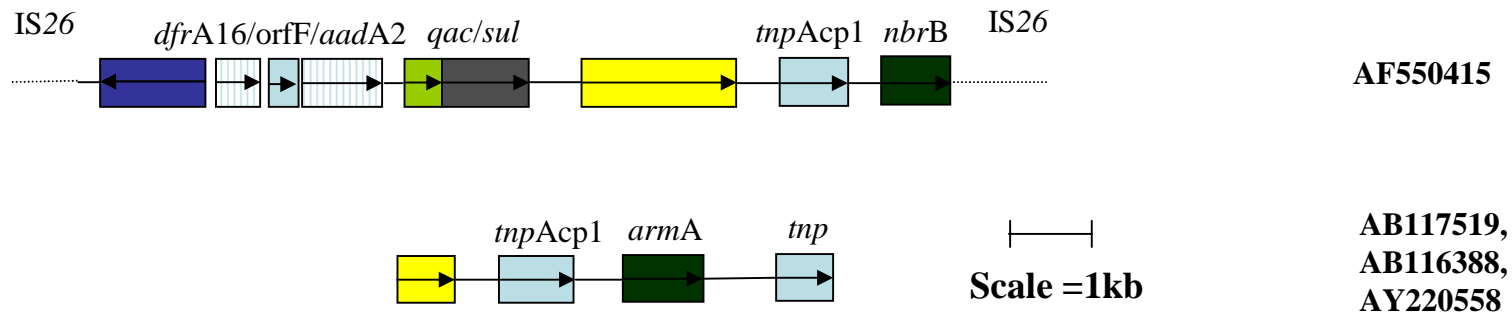
AF381619 AF357600

D13304 AY220558

KEY



ISCR1 elements associated with aminoglycoside resistance genes



KEY

